



Industrial Wireless Serial Device Server

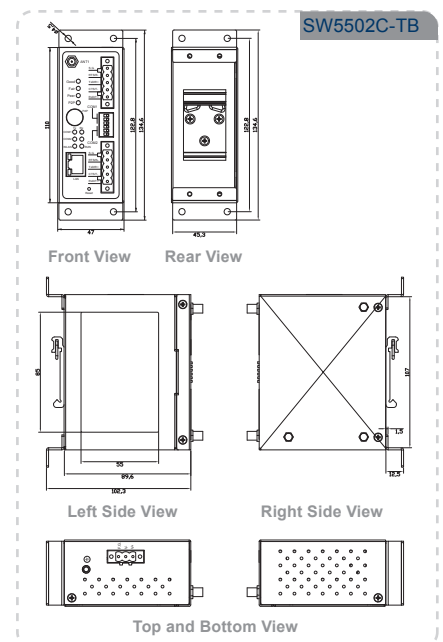
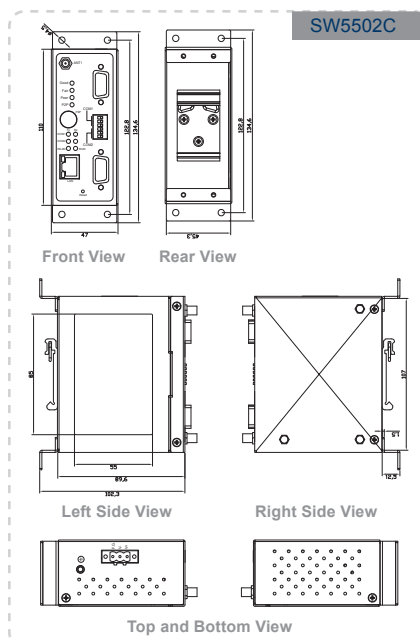
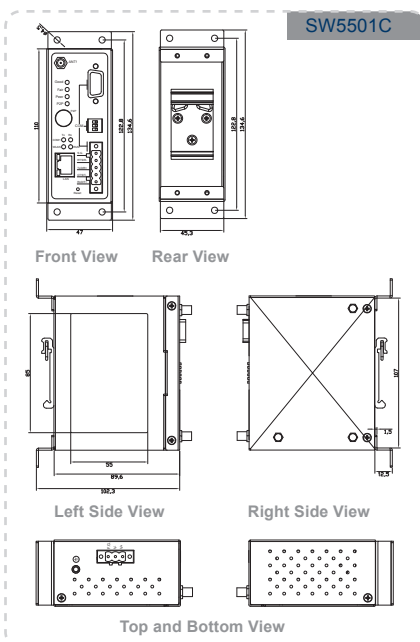
■ ■ SW5501C/SW5502C/SW5502C-TB

RoHS II compliant

- Designed for 802.11 b/g/n networks
- Web server/Utility configuration (Serial Manager)
- Upgrade via Serial Manager or Web server
- FCC (United States), ETSI (Europe) certified wireless equipment
- RS232/422/485 software selectable
- D-sub9 or TB5 combo serial port (SW5501C)
- Support Wi-Fi Direct (Peer-to-Peer)

The SW550xC Series is our latest addition to our Industrial Wireless products; its small size but powerful architecture makes it a perfect choice for industrial/manufacturing needs in which size is a decisive factor. It rewards our customers with superb connectivity withstanding all the harshness in your environment of choice.

The SW550xC Series supports “Wi-Fi Direct” technology that makes Wi-Fi usage to be an ease-to-use connectivity, and delivers an industry-wide peer-to-peer solution based on broadly deployed Wi-Fi technologies.



Specifications

Network Interface

Connector	RJ-45
Speed	IEEE802.3u, 100Base-T(X)

Serial Interface

Connector	D-Sub9 or TB5 combo RS-232/422/485 software selectable (SW5501C) D-Sub9 RS-232/422/485 software selectable (SW5502C) 5.08mm TB5 RS-232/422/485 software selectable (SW5502C-TB)
Ports	SW5501C: 1 Port / SW5502C: 2 Ports
Baud Rate	110 ~ 921600Kbps
Parity	None, Odd, Even, Space, Mark
Data Bits	5,6,7,8
Stop Bits	1,2
Flow Control	None, Xon / Xoff, RTS/CTS

Power Characteristics

Input Voltage	9VDC - 48VDC
Input Current(9VDC)	0.65A
Power Consumption	Approx. 5.85Watts
Reverse Polarity Protection	Yes
Connection	5.08mm 3-pin Lockable Terminal Block

Mechanicals

Protection Rating	IP50
Dimensions(W X H x D)	47 mm x 110 mm x 90mm
Installation	DIN Rail, Wall Mount (optional)
Reset Button	Yes
Wi-Fi Direct(P2P) Button	Yes
Weight	500g

Environmental Limits

Operating Temperature	-10°C ~ 60°C (14°F ~ 140°F)
Storage Temperature	-40°C ~ 85°C (-40°F ~ 185°F)
Ambient Relative Humidity	5 ~ 95% RH, (non-condensing)

Software

Protocols	IPv4, ICMP, TCP, UDP, DHCP Client, SNMP, SMTP, HTTP, DNS, NTP, RADIUS, RFC2217, WPS, Syslog
Wireless Security	WEP, WPA, WPA2, TKIP, AES, 802.1x
Configuration	Serial Manager, Web UI
Virtual COM	Windows / Linux redirection software

Link Modes

TCP Server	4 connections, Virtual COM, or Reverse Telnet
TCP Client	Dual destinations or Virtual COM
UDP	Up to 4 ranges of IPs
MTBF	14 years (MIL-HDBK-217F)

Warranty

Warranty	5 years
----------	---------

Regulatory Requirements

EMC	EN 301489-1 V1.8.1, EN301489-17 V2.1.1 (Class A), FCC 15B (Class A)
Radio	FCC 15C 15.247, FCC 15E 15.407, EN 301893 V1.5.1, EN 300328 V1.7.1
EMF	EN 62311: 2008, EN 50385: 2002

Test		Item	Value	Level
IEC 61000-4-2	ESD	Contact Discharge	±4KV	2
		Air Discharge	±8KV	3
IEC 61000-4-3	RS	Radiated(Enclosure)	3(V/m)	2
IEC 61000-4-4	EFT	AC Power Port	±2.0 KV	3
		DC Power Port	±0.5 KV / ±1.0 KV	1 / 2
		Signal Port	±0.5 KV	2
IEC 61000-4-5	Surge	AC Power Port	Line-to-Line±1.0 KV / Line-to-Earth±2.0 KV	3
		DC Power Port	Line-to-Earth±0.5KV / ±1.0 KV	1 / 2
		Signal Port	Line-to-Line±1.0 KV / Line-to-Earth±1.0 KV	2
IEC 61000-4-6	CS	Conducted(Enclosure)	3 V rms	2
IEC 61000-4-8	PFMF	(Enclosure)	3(A/m)	2
IEC 61000-4-11	DIP	AC Power Port	-	-

*AC Ports are tested through an power adaptor available in the accessory.

Safety	UL60950-1/CB, EN60950-1
Shock	IEC 60068-2-27
Freefall	IEC 60068-2-32
Vibration	IEC 60068-2-64
MTBF	TBD
RoHS II	Yes

Wireless Characteristics

Wireless PCI-e Module	Atheros AR9382
Tx / Rx	1T1R MIMO (1 x 1 with MCS 0-7)
Standard Conformance	802.11b, 802.11g, and 802.11n
Antenna	3/5 dBi antenna design, SMA(R) Female connector

Operating Frequency

	2.4Ghz
United States (FCC)	2412-2462(20Mhz)/2422-2452(40Mhz)
Europe (ETSI)	2412-2472(20Mhz)/2422-2462(40Mhz)

Data Rate

802.11b	1, 2, 5.5 and 11Mbps
802.11g	6, 9, 12, 18, 24, 36, 48, 54Mbps
802.11n	20MHz bandwidth: 1Nss: 65Mbps @ 800GI, 72.2Mbps @ 400GI (Max.) 40MHz bandwidth: 1Nss: 135Mbps @ 800GI, 150Mbps @ 400GI (Max.)

Output Power

802.11b	+14dBm			
802.11g	+17dBm @ 6, 9, 12,18,24Mbps / +17dBm @ 36Mbps / +16dBm @ 48Mbps / +16dBm @ 54Mbps			
802.11n 2.4GHZ/HT20	+16dBm @ MCS 0	+16dBm @ MCS 4	+16dBm @ MCS 1	+16dBm @ MCS 5
	+16dBm @ MCS 2	+16dBm @ MCS 6	+16dBm @ MCS 3	+15dBm @ MCS 7
802.11n 2.4GHZ/HT40	+15dBm @ MCS 0	+15dBm @ MCS 4	+15dBm @ MCS 1	+15dBm @ MCS 5
	+15dBm @ MCS 2	+15dBm @ MCS 6	+15dBm @ MCS 3	+14dBm @ MCS 7

Receiver Sensitivity

	Data Rate	IEEE Spec(1 Rx dBm)		Data Rate	IEEE Spec(1 Rx dBm)
802.11b	1M	not specified	802.11n HT40	MCS0	-79
	5.5M	not specified		MCS1	-76
	11M	not specified		MCS2	-74
802.11g	6M	-82		MCS3	-71
	9M	-81		MCS4	-67
	12M	-79		MCS5	-63
	18M	-77		MCS6	-62
	24M	-74	MCS7	-61	
	36M	-70	802.11b/g/n HT20	MCS0	-82
	48M	-66		MCS1	-79
54M	-65	MCS2		-77	
802.11n HT20	MCS0	-82		MCS3	-74
	MCS1	-79		MCS4	-70
	MCS2	-77		MCS5	-66
	MCS3	-74		MCS6	-65
	MCS4	-70	MCS7	-64	
	MCS5	-66	802.11b/g/n HT40	MCS0	-79
	MCS6	-65		MCS1	-76
MCS7	-64	MCS2		-74	
		MCS3		-71	
		MCS4		-67	
		MCS5		-63	
		MCS6		-62	
		MCS7	-61		

Ordering Information

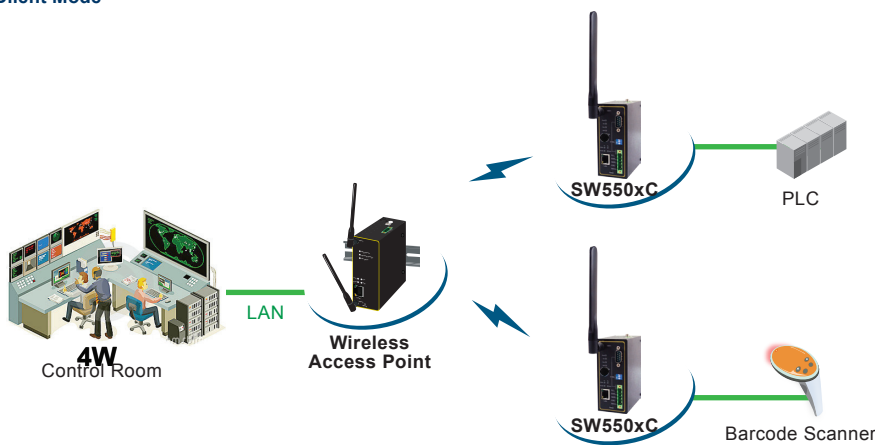
SW5501C	P/N:1P1SW5501C0001G 1-port Industrial Wireless Serial Device Server, DB9 or TB5 combo
SW5502C	P/N:1P1SW5502C0001G 2-port Industrial Wireless Serial Device Server, DB9
SW5502C-TB	P/N:1P1SW5502CTB01G 2-port Industrial Wireless Serial Device Server, TB5

Optional Accessories

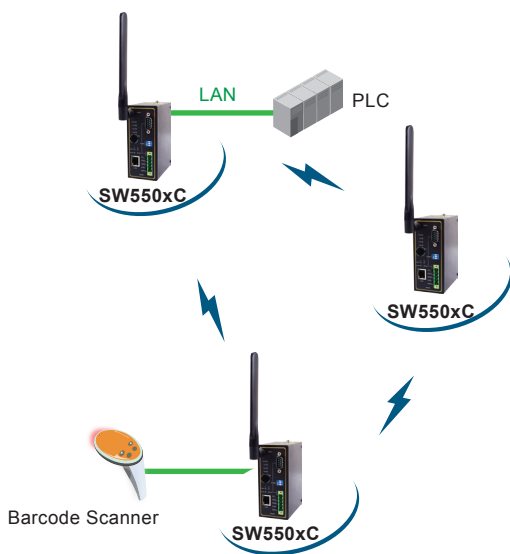
AD17-24C (US-Y)	P/N: 50500151240002G Y-Type power adaptor,100-240VAC input, 0.6A @ 24VDC output, US plug
AD17-24D (EU-Y)	P/N: 50500151240012G Y-Type power adaptor,100-240VAC input, 0.6A @ 24VDC output, EU plug
ADP-DB9(F)-TB5	P/N: 59906231G Female DB9 to Female 3.81 TB5 Converter
WMK-454-Black	P/N: 7010000000043G Black Aluminum Wall Mount Kit

Application

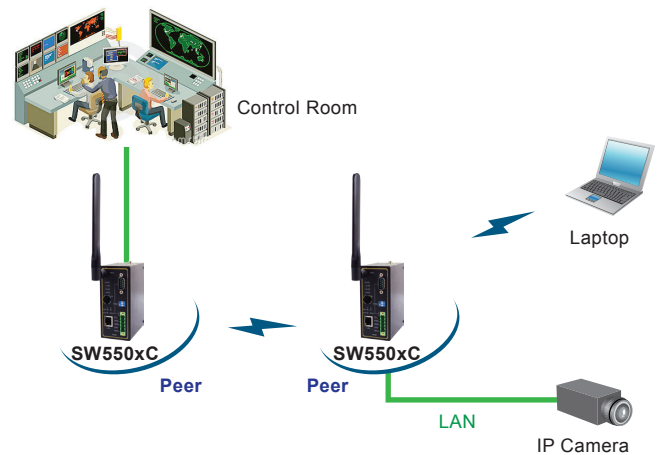
Client Mode



Adhoc Mode



Wi-Fi Direct Mode



Atop Technologies, Inc.

TEL : +886-3-5508137
 FAX : +886-3-5508131
 sales@atop.com.tw
 http : //www.atop.com.tw

Design and specification are subjected to change without notice.
 All product names referenced herein are registered trademarks of their respective companies.

