

BCO-1030-2L-CAN-DIN series

Basic Fanless Embedded System with Intel Celeron J1900 Processor, 1x DVI-I, 1x DP, 2x COM, 4x LAN, 1x CAN, w/ Din Rail mount



FEATURES

- Intel® Celeron® processor J1900, up to 2.0GHz
- 1x 204-pin DDR3L SODIMM. max up to 8GB
- Dual independent display supported by 1x DVI-I and 1x DisplayPort
- 4x Intel® GbE supporting Wake-on-LAN and PXE
- 1x 2.5" SATA HDD bay
- 2x RS-232/422/485, 1x DB9 for 2-Channel CAN, 1x USB 3.0, 3x USB 2.0
- 4x DI + 4x DO with isolation
- 9 to 30 VDC wide range power input supporting AT/ATX mode
- -20°C to 50°C extended operating temperature

SPECIFICATIONS

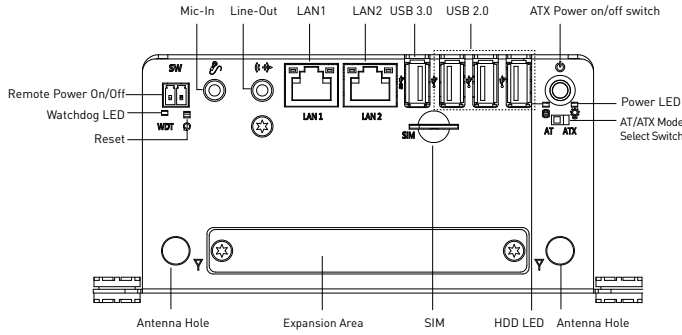
System	
Processor	Intel® Celeron® Processor J1900, Quad Core, 2MB Cache, 2.0 GHz
System Chipset	SoC integrated
LAN Chipset	GbE1 ~ GbE4: Intel® I210-AT [Support Wake-on-LAN and PXE]
Audio Codec	Realtek ALC888S
System Memory	1x 204-Pin DDR3L 1066/1333MHz SODIMM. Max. up to 8 GB
BIOS	AMI 64Mbit SPI BIOS
Watchdog	Software Programmable Supports 1~255 sec. System Reset
TPM	TPM 2.0
Display	
VGA	Yes (by optional split cable)
DVI	1x DVI-I
DisplayPort	1x DisplayPort
Multiple Display	Dual Display
Storage	
SSD/HDD	1x Internal 2.5" SATA HDD Bay
Operating System	
Windows	Windows 10, Windows 7, WES7
Linux	Linux kernel 3.X
I/O	
COM	2x RS-232/422/485
USB	1x USB 3.0, 3x USB 2.0
LAN	4x RJ45
Audio	1x Mic-in, 1x Line-out
DIO	4 in / 4 out (Isolated)
Universal I/O Bracket	1x Universal I/O Bracket (By mini PCIe interface)
CAN	1x DB9 for 2-Channel CAN
Others	4x WiFi Antenna Holes 1x Power Switch, 1x AT/ATX Switch, 1x Remote Power On/Off

Power	
Power Mode	AT, ATX
Power Supply Voltage	9~30VDC
Power Connector	3-pin Terminal Block
Power Adaptor	Optional AC/DC 12V/5A, 60W
Power Protection	OVP (Over Voltage Protection) OCP (Over Current Protection) Reverse Protection

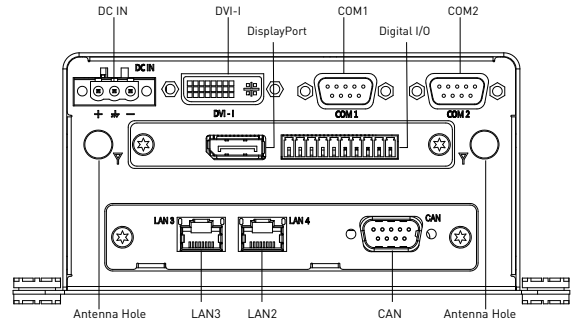
Environment	
Operating Temp.	-20°C to 50°C
Storage Temp.	-30°C to 70°C
Relative Humidity	10% to 95% (non-condensing)
Vibration	With SSD: 5 Grms, 5 - 500 Hz, 0.5 hr/axis With HDD: 1 Grms, 5 - 500 Hz, 0.5 hr/axis
Shock	With SSD: 50G, half sine, 11ms
Standards / Certification	CE, FCC Class A

Physical	
Construction	Extruded Aluminum with Heavy Duty Metal
Dimension	142 (W) x 101 (D) x 75 (H) mm
Weight	TBD
Mounting	Wall / DIN-Rail Mounting

EXTERNAL I/O MECHANICAL LAYOUT



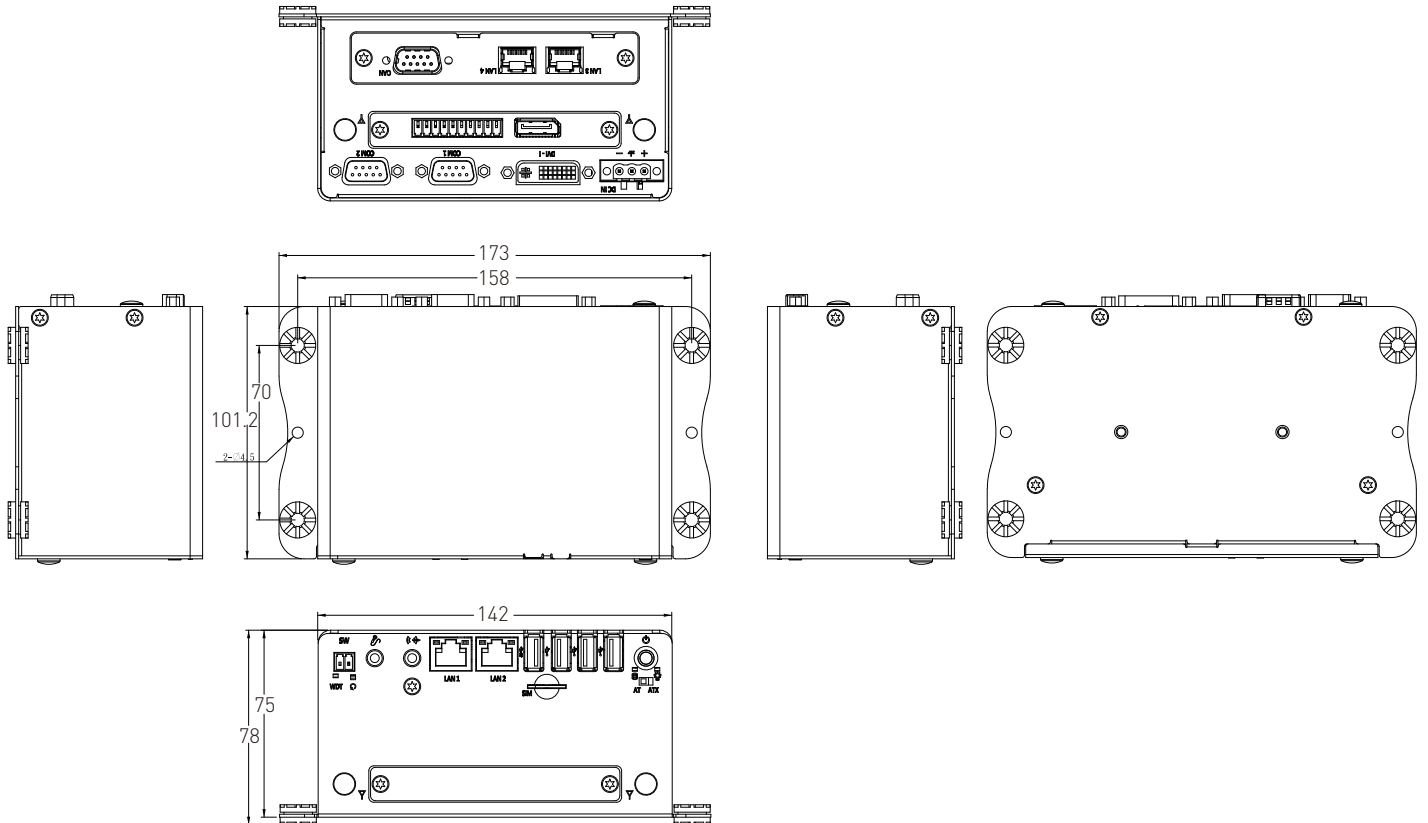
Front Panel



Rear Panel

DIMENSION

Unit: mm



ORDERING INFORMATION

MODEL NO.	DESCRIPTION
1-E09A06007	Adapter AC/DC 12V 5A 60W with 3pin Terminal Block Plug 5.0mm Pitch
SFICBL022	Power Cord, 3-pin US Type, 180cm
1-TPCD00002	Power Cord, European Type
1-TPCD00001	Power Cord, 3-pin UK Type, 180cm

PACKING LIST

- 1x BCO-1000 Series Embedded System
- 1x Utility DVD Driver
- 1x Wall Mount Kit
- 1x DIN-Rail Mount Kit
- 1x Accessory Kit
- 1x DVI to VGA Adapter

AVAILABLE MODELS

MODEL NO.	DESCRIPTION
BCO-1030-2L-CAN-DIN	Basic Fanless Embedded System with Intel Celeron J1900 Processor, 1x DVI-I, 1x DP, 2x COM, 4x LAN, CAN, w/ Din Rail mount