

# VIO-W221

21.5" 16:9 FHD Resistive / Capacitive Touch Thin Frame Display Module with 2x 10W Speaker

## FEATURES

- 21.5" TFT FHD 16:9 LCD with Resistive 5-wire / Capacitive Touch
- -10°C to 60°C extended operating temperature
- Designed with Aluminum Die-Casting Front Frame
- IP65 Compliant Front Panel
- Two 10W Internal Speakers Built-in
- Multi-language OSD built-in



## SPECIFICATIONS

### DISPLAY

LCD Size	21.5" (16:9)
Max. Resolution	1920 x 1080 (Full HD)
Brightness (cd/m <sup>2</sup> )	300
Contrast Ratio	5000:1
LCD Color	16.7M
Pixel Pitch (mm)	0.248 (H) x 0.248 (V)
Viewing Angle (H-V)	178 / 178
Backlight MTBF	50000 hrs (LED Backlight)

### TOUCH

Resistive 5-wire	VIO-W221R Only
Projected Capacitive	VIO-W221C Only

### I/O

Internal Speaker	AMP 10W + 10W
OSD	LCD On/Off, Auto, Menu, Up and Down Multi-language

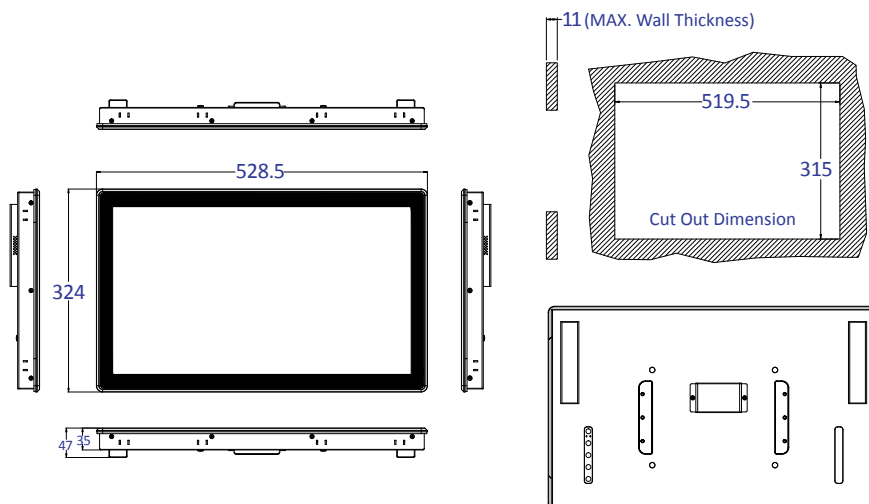
### ENVIRONMENT

Operating Temp.	-10°C to 60°C
Storage Temp.	-20°C to 60°C
Relative Humidity	10%~80% (non-condensing)
IP Level	IP 65 Compliant Front Panel

### PHYSICAL

Front Panel Construction	Die-cast Flat Surface
Dimension	528.5 (W) x 324 (D) x 47 (H)mm
Weight	VIO-W221R: 6.78 kg VIO-W221C: 6.46 kg
Mounting	VESA Mounting Holes 75 x 75mm, 100 x 100mm

## DIMENSION



## AVAILABLE MODELS

MODEL NO.	DESCRIPTION
VIO-W221R	21.5" 16:9 FHD Resistive Touch Thin Frame Display Module with 2x 10W Speaker
VIO-W221C	21.5" 16:9 FHD Capacitive Touch Thin Frame Display Module with 2x 10W Speaker

## PACKING LIST

- 1x VIO-W221 Series Display Module
- 12x Panel Mount Kit