

1 Safety Precautions

- Both the installer and the operator of the Touch Display Monitor must read and understand this installation manual carefully before installing and operating the device.
- Only qualified personnel may install or operate the device.
- The device must be installed according to the installation instructions.
- The device is designed for the installation on a flat surface under the following conditions:
 - ◆ No extreme high and low working temperatures
 - ◆ no high explosive risks
 - ◆ no strong magnetic fields
 - ◆ no high polluting risks
- Never allow fluids, metal filings or wiring debris to enter any ventilation openings in device. This could cause fire or electrical shock.
- Don't cover the openings as they are for air convection hence protects the equipment from overheating.
- Don't store the device in an environment where the temperature is lower/higher than recommended in this manual as it may damage the device.
- Make sure the voltage of the power source is correct before connecting the equipment to the power outlet.
- The LCD display liquid contains a powerful irritant. In case of skin contact, wash immediately with plenty of water. In case of eye contact, hold the eye open, flush with plenty of water and get medical attention.
- The supplier is not responsible for modified, altered or reconstructed equipment.
- The figures in this manual serve an illustrative purpose. Because of the many variables associated with any particular installation, the supplier cannot assume responsibility for actual use based on the figures.
- The supplier neither guarantees that the device is suitable for your particular application, nor assumes responsibility for your product design, installation or operation.

2 Product Specification

2.1 Product Specification (Wide Screen Model)

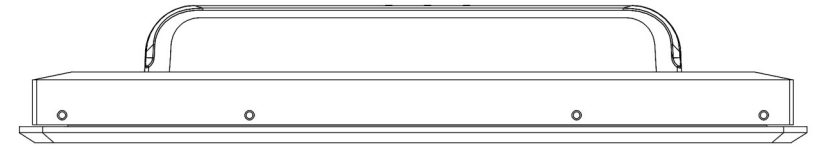
Model	QM7W△□	PM10W△□	PM11W△□	PM15W△□	PM17W△□	PM22W△□
Type	7" TFT	10.1" TFT	11.6" TF	15.6" TFT	17.3" TFT	21.5" TFT
Resolution	1024x600	1280x800	1920x1080	1920x1080	1920x1080	1920x1080
Brightness	250 cd/m2	300 cd/m2	300 cd/m2	300 cd/m2	400 cd/m2	250 cd/m2
Backlight	50,000 hr	50,000 hr	50,000 hr	50,000 hr	50,000 hr	50,000 hr
Contrast Ratio	1000:1	1000:1	1000:1	800:1	600:1	3000:1
View Angle H/V	160/160	170/170	178/178	160/145	160/140	178/178
Video Input	1080P HDMI, VGA, DVI					
Touch Screen△	△: Add C for Projected Capacitive Touch, R for Resistive Touch, N for no touch					
Touch Interface	RJ45 (Device) to USB (PC)					
Audio I/O	Microphone, Headphone, 2 x Built-in Speakers					
OSD Control	OSD Control on rear cover					
Power Input & Consumption	12~24V, max. 20 watts					
Weight	1,1 Kgs	1.6 Kgs	2.8 Kgs	3.7 Kgs	4.2 Kgs	5.7 Kgs
Operating Temp.	-10~60°C					
Storage Temp.	-20~80°C					
Moisture	10% ~ 90% @40°C					
Construction□	Silver Aluminum front bezel and chassis (Option for Black bezel & chassis: add B to □)					
IP Rating	IP65 (Front)					
Mounting	Panel mount, VESA 75x75 / 100 x 100					
Dimension WxHxD mm	196.5x 152.2x38.7	283.7x 186.2x56	328.3x 216.3x56	405.3x 254.7x68	452.0x 285.0x67	537.4x 328.8x63
Cut-out WxH mm	180.4x136.4	269.7x172.2	314.3x202.3	391.3x240.6	435.0x268.0	523.4x314.8
CE/FCC	EN 300 328, EN 301 489, EN 62368-1, EN 62311					

2.2 Product Specification (Standard 4:3 Screen Model)

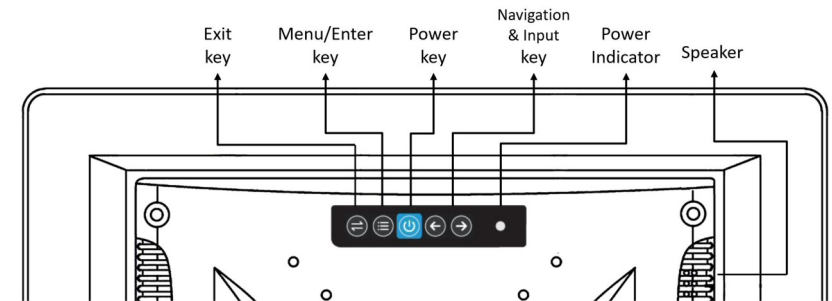
Model	PM10S△□	PM12S△□	PM15S△□	PM17S△□	PM19S△□
Type	10.4" TFT	12" TF	15" TFT	17" TFT	19" TFT
Resolution	1024x768	1024x768	1024x768	1280x1024	1280x1024
Brightness	400 cd/m2	450 cd/m2	450 cd/m2	350 cd/m2	250 cd/m2
Backlight	50,000 hr	50,000 hr	50,000 hr	50,000 hr	50,000 hr
Contrast Ratio	1000:1	800:1	700:1	1000:1	1000:1
View Angle H/V	160/160	178/178	160/140	160/150	170/160
Video Input	1080P HDMI, VGA, DVI				
Touch Screen △	△: Add C for Projected Capacitive Touch, R for Resistive Touch, N for no touch				
Touch Interface	RJ45 (Device) to USB (PC)				
Audio I/O	Microphone, Headphone, 2 x Built-in Speakers				
OSD Control	OSD Control on rear cover				
Power Input & Consumption	12~24V, max. 20 watts				
Weight	1.7 Kgs	2.8 Kgs	3.7 Kgs	4.2 Kgs	5.7 Kgs
Operating Temp.	-10~60°C				
Storage Temp.	-20~80°C				
Moisture	10% ~ 90% @40°C				
Construction □	Silver Aluminum front bezel and chassis (Option for Black bezel & chassis: add B to □)				
IP Rating	IP65 (Front)				
Mounting	Panel mount, VESA 75x75 / 100 x 100				
Dimension WxHxD mm	283.9x231.3x56	312.3x250.8x60	366.1x290.0x62	399.2x331.6x63	438.6x363.6x63
Cut-out WxH mm	267.9x215.3	298.3x236.8	352.1x276.0	385.2x317.6	424.6x349.6
CE/FCC	EN 300 328, EN 301 489, EN 62368-1, EN 62311				

2.3 Mechanic & Interface Description

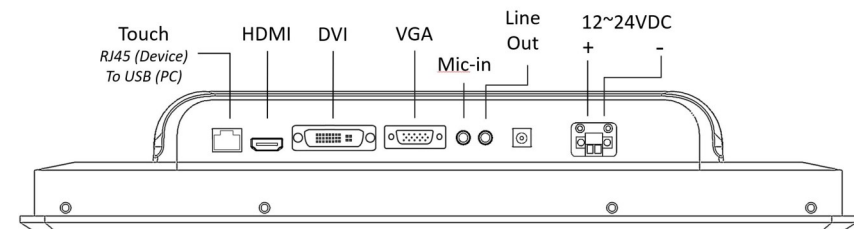
Top



Back



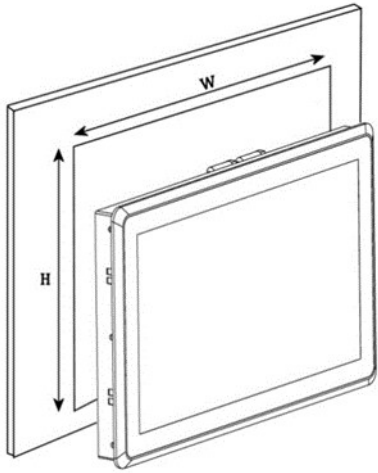
Bottom



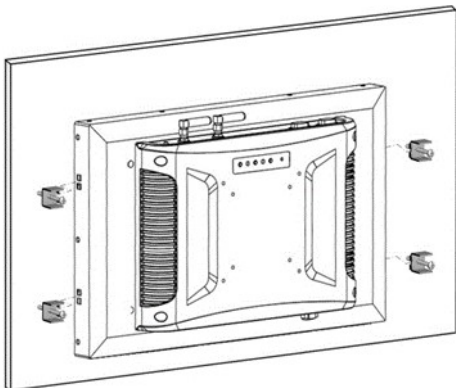
3 Installation

3.1 Mounting the Device

Cut out the mounted panel to match the dimensions (mm) according to the model of the device.



Model	Cut-out	
	W	H
QM7W	178.2	133.8
PM10W	269.7	172.2
PM11W	314.3	202.3
PM15W	391.3	240.6
PM17W	435.0	268.0
PM22W	523.4	314.8
PM10S	267.9	215.3
PM12S	298.3	236.8
PM15S	352.1	276.0
PM17S	385.2	317.6
PM19S	424.6	349.6



4 Power Connection

4.1 Power Source

The device is equipped with a 12~24VDC input. Supply power other than 12~24VDC $\pm 15\%$ will severely damage the unit. Thus, check the power supply supporting the DC power regularly

4.2 Remove the terminal block

1. Loosen the two screws that secure the terminal block.
2. Gently pull the terminal block away from the connector

4.3 Connect the terminal block

1. Verify that the terminal block is not connected to a power source.
2. Secure the DC power wires to the terminal block. Follow the markings on terminal block and power connector for proper connections

4.4 Install the terminal block

1. Reattach the terminal block to the connector until seated.
2. Tighten the two screws that secure the terminal block to the power connector

4.5 Power on the device

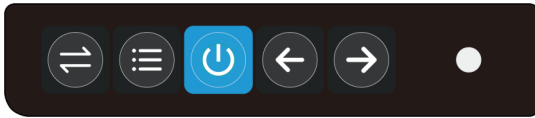
1. Press the "Power" key on the back
2. The Power Indicator will be lit with Blue if video input is provided or Red if no video input is detected

4.6 Power off the device

To power off the device, press the "Power" key on the back of the device

5 OSD Operation Guide

5.1 OSD Keys



Key	Name	Function
	Exit	<ul style="list-style-type: none"> ● Close the OSD menu when on the top menu or ● Return to upper level of the navigation
	Menu/Enter	<ul style="list-style-type: none"> ● Press to display the OSD menu or ● Confirm the selection of a Submenu or a Parameter
	Power	Press to turn on or off the monitor
 	Navigation & Input	<ul style="list-style-type: none"> ● As a navigation control when selecting a submenu or a parameter within a submenu ● As a value increment or decrement, or state toggling when changing a parameter value
Power Indicator		<ul style="list-style-type: none"> ● Blue — the Display on normal mode ● Red — the Display is on screen saving mode

5.2 OSD Settings

- The OSD menu consists of a top panel with 7 submenus and 1 exit button, and a bottom panel with the parameter settings for each submenu selected (Fig-1)
- Navigation on the top panel is accomplished via keys (Fig-2)
- To select a submenu, press key
- Once a submenu is selected, the navigation is changed to the bottom panel for parameter settings (Fig-3)
- To change a parameter value, first navigate to the parameter with keys and then press key to confirm the selection

- To change the parameter value, press key to activate
- To change the value, press keys to toggle, increase, or decrease the value

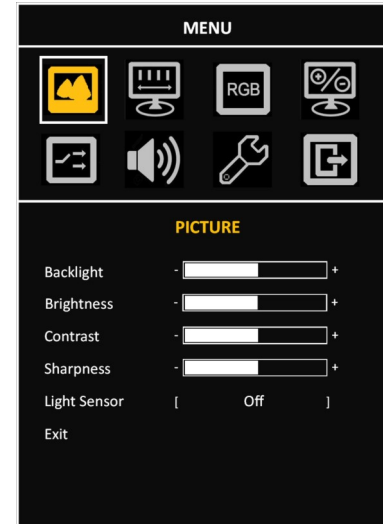


Fig-1

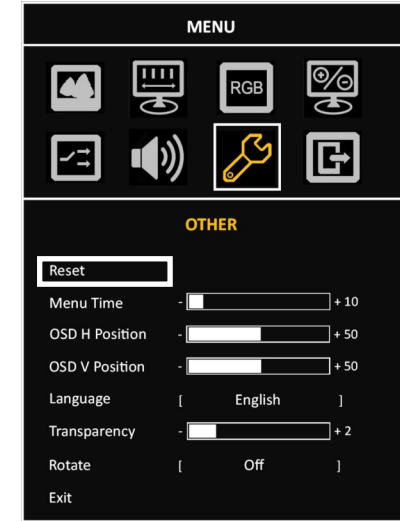


Fig-3

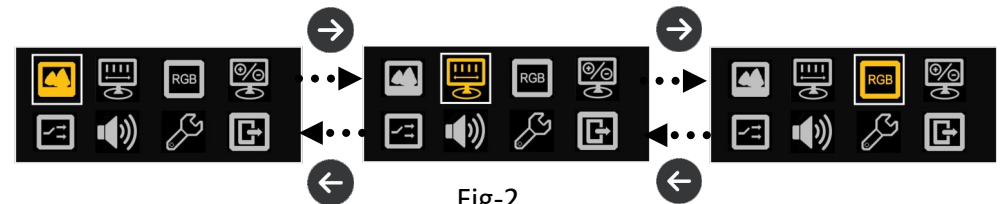


Fig-2