

VIO-W215

15.6" 16:9 Full HD Resistive / Capacitive Touch Thin Frame Display Module with 2x 10W Speaker

FEATURES

- 15.6" TFT FHD 16:9 LCD with Resistive 5-wire Touch / Capacitive Touch
- -10°C to 60°C extended operating temperature
- Designed with Aluminum Die-Casting Front Frame
- IP65 Compliant Front Panel
- Two 10W Internal Speakers Built-in
- Multi-language OSD built-in



SPECIFICATIONS

DISPLAY

LCD Size	15.6" (16:9)
Max. Resolution	1920 x 1080 (Full HD)
Brightness (cd/m ²)	400
Contrast Ratio	700:1
LCD Color	16.7M
Pixel Pitch (mm)	0.17925 (H) x 0.17925 (V)
Viewing Angle (H-V)	160 / 140
Backlight MTBF	50000 hrs (LED Backlight)

TOUCH

Resistive 5-wire	VIO-W215R Only
Projected Capacitive	VIO-W215C Only

I/O

Internal Speaker	AMP 10W + 10W
OSD	LCD On/Off, Auto, Menu, Up and Down Multi-language

ENVIRONMENT

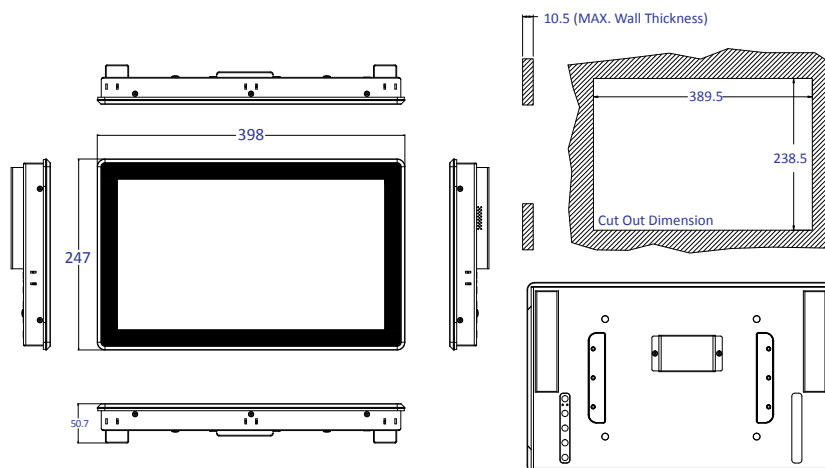
Operating Temp.	-10°C to 60°C
Storage Temp.	-20°C to 70°C
Relative Humidity	10%~80% (non-condensing)
IP Level	IP 65 Compliant Front Panel

PHYSICAL

Front Panel Construction	Die-cast Flat Surface
Dimension	398 (W) x 247 (D) x 50.7 (H)mm
Weight	VIO-W215R: 3.80 kg VIO-W215C: 3.68 kg
Mounting	VESA Mounting Holes 75 x 75mm, 100 x 100mm

DIMENSION

Unit: mm



AVAILABLE MODELS

MODEL NO. DESCRIPTION

VIO-W215R	15.6" 16:9 FHD Resistive Touch Thin Frame Display Module with 2x 10W Speaker
VIO-W215C	15.6" 16:9 FHD Capacitive Touch Thin Frame Display Module with 2x 10W Speaker

PACKING LIST

- 1x VIO-W215 Series Display Module
- 8x Panel Mount Kit