

Industrial 24 VDC Power Supplies

Ideal for use with Industrial Connectivity and Automation Devices

These SIXNET industrial power supplies are designed to meet or exceed the requirements of the industrial devices they power. They are ideal for any industrial application where consistent performance and long term reliability are a must.

RM-PS-024-01

Hot Swappable!
For redundant
Systems!



Integrated Power Bus!

Field Proven Performance:

- AC input up to 264 VAC at 50/60 Hz
- DC input up to 370 VDC
- 24 VDC output up to 120 Watts (5 Amps)
- Fully protected from short circuit, over-load, over-voltage and over-temperature conditions
- DIN rail mounting standard
- Wide operating temperature range
- Certified to perform – see below

3 Models to Choose From:

- RM-PS-024-01 (24 Watts)
 - Output: 24 VDC @ 1 Amp
 - 18 extra terminals for bussing power
 - Connect a second supply for redundancy
 - Universal AC input from 85 – 264 VAC
 - Ideal for small distributed I/O stations
 - Unique hot swappable power module
 - Both DIN rail and panel mounting
- ET-PS-024-02 (48 Watts)
 - Output: 24 VDC @ 2 Amps
 - Compact size – ideal for small enclosures
 - Universal AC input from 85 – 264 VAC
 - Ideal to power an industrial switch or modem
- ST-PS-024-05 (120 Watts)
 - Output: 24 VDC @ 5 Amps
 - Selectable AC input up to 264 VAC
 - Compact size - high power to size ratio
 - Ideal for medium size automation panels

ET-PS-024-02

Super Compact!



ST-PS-024-05

120 Watts!

Certified to Perform:



ISO9001
Quality



Emissions,
Immunity & Safety



USA/Canada
Safety



USA/Canada
Safety



International
Safety



USA/Canada
Emissions



European
Safety



Lead and Hazardous
Substance Free

Performance Specifications

Model		RM-PS-024-01	ET-PS-024-02	ST-PS-024-05
Output	DC voltage	24 VDC (Contact SIXNET for other DC voltages)		
	Rated current	1 Amp	2 Amps	5 Amps
	Current range	0 – 1 Amp	0 – 2 Amps	0 – 5 Amps
	Rated power	24 Watts	48 Watts	120 Watts
	Ripple / noise (max.)	240 mV p-p	480 mV p-p	80 mV p-p
	Voltage adjust	-	21.6 – 26.4 VDC	24 – 28 VDC
	Voltage tolerance	+/- 2%	+/- 1%	+/- 1%
	Line regulation	+/- 0.2%	+/- 1%	+/- 0.5%
	Load regulation	+/- 0.5%	+/- 1%	+/- 1%
	Setup & rise time	200 mS & 30 mS	800 mS & 60 mS	500 mS & 70 mS
Hold time (typ.)	100 mS @ 230 VAC	100 mS @ 230 VAC	36 mS @ 230 VAC	
Input	AC voltage range	85 – 264 VAC		88 – 132, 176 – 264 VAC
	DC voltage range	120 – 370 VDC		248 – 370 VDC
	Frequency range	47 – 63 Hz		
	Efficiency (typ.)	79 %	80%	84%
	AC current (typ.)	0.6 Amp @ 115 VAC, 0.4 Amp @ 230 VAC	1.5 Amps @ 115 VAC, 0.75 Amp @ 230 VAC	2.6 Amps @ 115 VAC, 1.6 Amps @ 230 VAC
	Inrush current	Cold start 36 Amps	Cold start 28 Amps @ 115 VAC, 56 Amps @ 230 VAC	Cold start 20 Amps @ 115 VAC, 40 Amps @ 230 VAC
Leakage current	<0.5 mA @ 240 VAC	<1 mA @ 240 VAC	<3.5 mA @ 240 VAC	
Protection	Over-load	Above 105% rated output, with automatic recovery	105 – 150% rated output, current limiting with automatic recovery	
	Over-voltage	28 – 33 VDC Shut down output, cycle power to recover		
	Over-temperature	135°C, shut down output with automatic recovery		90°C, shut down output with automatic recovery
Environmental	Operation temp.	-35 to +75°C (derate output 2% per °C above 45°C)		-20 to +70°C (derate output 2% per °C above 45°C)
	Storage temp.	-40 to + 85°C		
	Operation humidity	20 to 90% RH non-condensing		
	Storage humidity	10 to 95% RH		
	Temp. coefficient	+/-0.03% per °C		
	Vibration	10 – 500 Hz; 2G 10 min per cycle; 60m period each along X, Y, Z axes		
Standards	Safety	CUL (UL508 / CSA C22.2); TUV EN60950-1		
	Hazardous locations	cUL1604 (CSA C22.2/213); Class I, Division 2 (Zone 2); Groups A, B, C, D		
	Withstand voltage	Input to Output: 3KVAC; Input to GND: 1.5KVAC; Output to GND: 0.5KVAC		
	Isolation resistance	100M Ohms @ 500 VDC		
	EMI emissions	EN55011, EN55022 (CISPR22) Class B		
	EMC immunity	EN61000-4-2, 3, 4, 5; light industry level, criteria A	EN61000-4-2, 3, 4, 5, 6, 8, 11; ENV5024; EN50024; EN61000-6-2 (50082-2); heavy industry level, criteria A	
Harmonic current	EN61000-3-2, EN61000-3-3			
Miscellaneous	MTBF	576,000 hours per MIL- HDBK-217 @ 25°C	365,000 hours per MIL- HDBK-217 @ 25°C	137,000 hours per MIL- HDBK-217 @ 25°C
	Packaging	IP30	IP30	IP20
	Mounting	DIN rail or panel mount	DIN rail	DIN rail
	Weight	0.5 Kg (1.1 lbs)	0.31 Kg (0.6 lbs)	0.79 Kg (1.7 lbs)
	Dims (w x h x d)	121 x 83 x 104 mm (4.8 x 3.3 x 4.1 inches)	78 x 93 x 67 mm (3.0 x 3.6 x 2.7 inches)	66 x 125 x 100 mm (2.6 x 4.9 x 3.9 inches)

Specifications are subject to change. Consult factory for latest information.

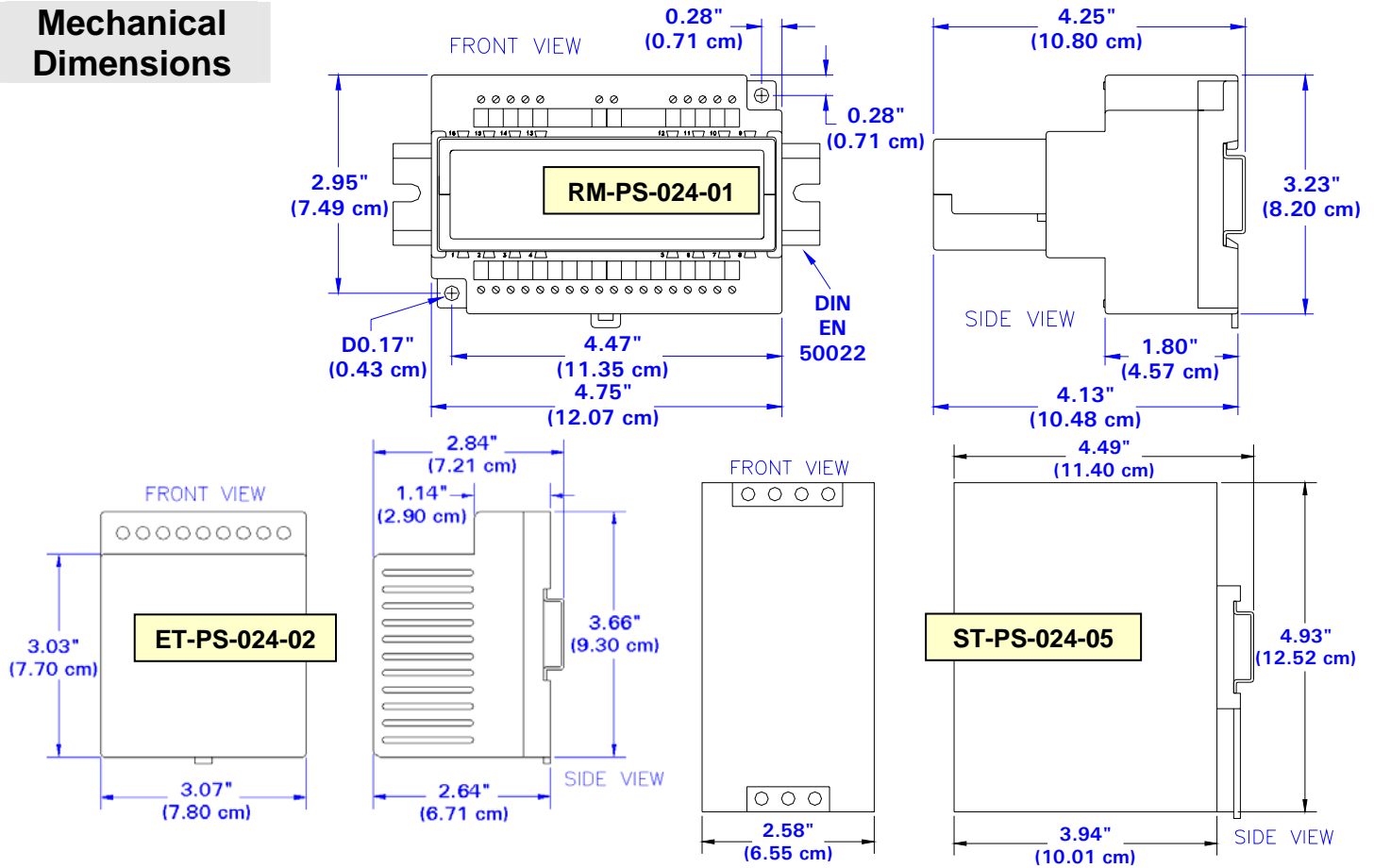
Ordering Guide

RM-PS-024-01F	AC to 24 VDC power supply; 24 Watts (1 Amp)
ET-PS-024-02	AC to 24 VDC power supply; 48 Watts (2 Amps)
ST-PS-024-05	AC to 24 VDC power supply; 120 Watts (5 Amps)
Note: Other output voltages such as 12 VDC and 48 VDC may be available for special order. Contact SIXNET.	

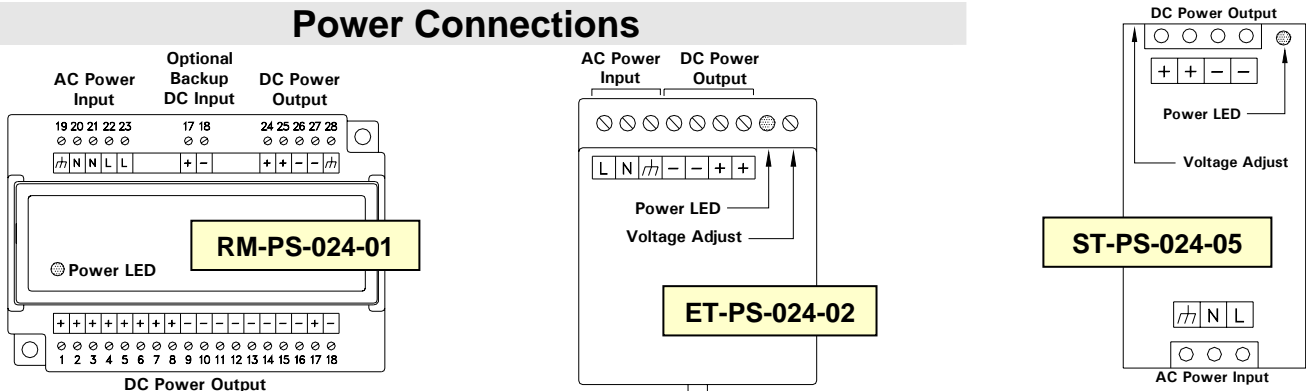
SIXNET®

331 Ushers Road, P.O. Box 767 • Clifton Park, NY 12065 USA • +1 (518) 877-5173 • Fax +1 (518) 877-8346
 mailto: sales@sixnetio.com • web: <http://www.sixnetio.com> • ecommerce: <http://www.sixnetstore.com>

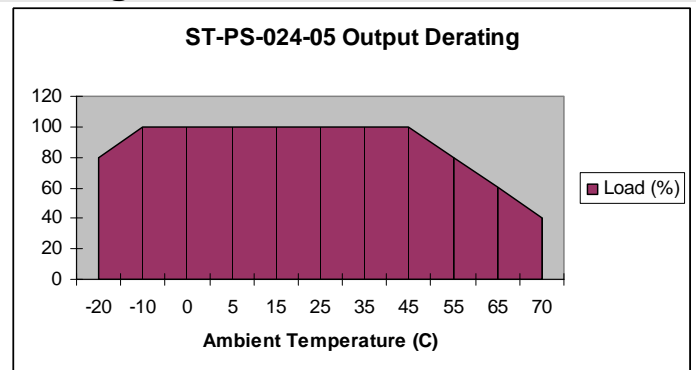
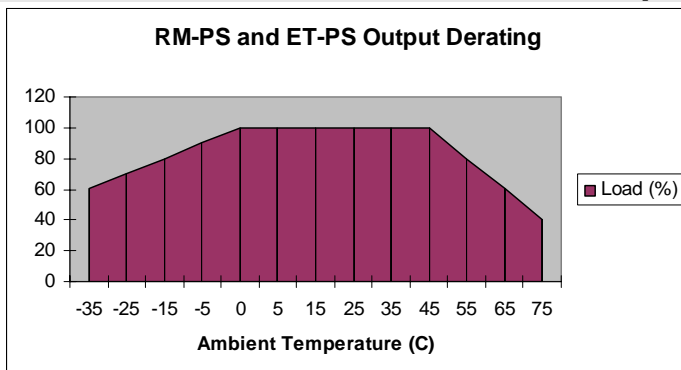
Mechanical Dimensions



Power Connections



Output Derating



SIXNET®

A Complete Family of Automation Solutions

Ethernet and RS485 I/O

SIXNET can provide you the building blocks for the open systems you are looking for. Three complementary families of modular DIN rail mounted I/O provide local, remote, enterprise level, or Internet I/O solutions.

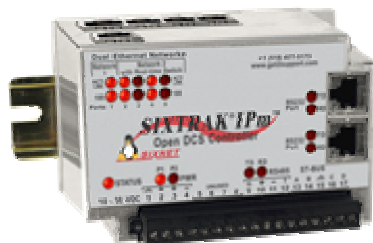
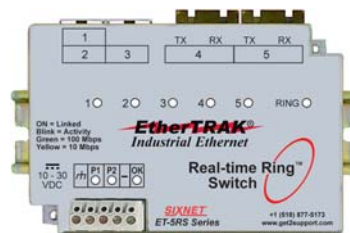


Industrial Telephone Modems

SIXNET rugged industrial modems eliminate the hassles of mounting a telephone modem in an industrial enclosure. These robust modems are rated for -30 to +70 °C industrial operation.

Industrial Ring and Managed Switches

SIXNET also offers industrial Ethernet Switches that support fault-tolerant rings, Rapid Spanning Tree Protocol for redundancy, SNMP for easy network management and much more. These switches are rugged, reliable, real-time and most of all, secure.



Controllers & RTUs with Open-Source Linux

SIXNET IPm is a combination of installation-ready industrial controllers & RTUs and a wealth of powerful software solutions. IPm offers the reliability of a PLC, the familiarity of powerful Windows programming and configuration utilities, all combined with powerful open-source Linux flexibility.



Request Your
FREE Product CD at
<http://www.sixnetio.com>

Contact your SIXNET Applications Engineer Today!

For the latest information, check out
<http://www.sixnetio.com>

Power Supply Datasheet - Rev 4-Jan-07

SIXNET®

331 Ushers Road, P.O. Box 767 • Clifton Park, NY 12065 USA • +1 (518) 877-5173 • Fax +1 (518) 877-8346
mailto: sales@sixnetio.com • web: <http://www.sixnetio.com> • ecommerce: <http://www.sixnetstore.com>