

## INDUSTRIAL 48 VDC POWER SUPPLIES

These Sixnet industrial power supplies are designed to meet or exceed the requirements of the industrial devices they power. They are ideal for any industrial application where consistent performance and long term reliability are a must.

### PRODUCT HIGHLIGHTS

- AC input up to 264 VAC at 50/60 Hz
- DC input up to 370 VDC
- 48 VDC output up to 120 Watts (2.5 Amps)
- Fully protected from short circuit, over-load, over-voltage and over-temperature conditions
- DIN rail mounting standard
- Wide operating temperature range
- Certified to perform

### SEVERAL MODELS TO CHOOSE FROM

- EB-PS-AC48-75 (75 Watts)
  - Output: 48 VDC @ 1.5 Amps (75 watts)
  - Universal AC input from 85 – 264 VAC
  - Compact size – fits in small enclosures
  - Ideal to power up to 5 PoE devices
- EB-PS-AC48-120 (120 Watts)
  - Output: 48 VDC @ 2.5 Amps (120 Watts)
  - Selectable AC input up to 264 VAC
  - Compact size - high power to size ratio
  - Ideal to power up to 8 PoE devices
- EB-PS-4824-13 (13 Watts)
  - Ultra-compact DC-DC converter
  - Ideal for 48 VDC (PoE) systems requiring some 24 VDC
  - Output: 24 VDC @ 540 mA (13 Watts)
  - Input: 45-56 VDC (48 VDC nominal)
  - Slim packaging fits on any DIN rail

**EB-PS-AC48-75**  
75 Watts for up to  
5 full power PoE devices

AC Input  
48 VDC Output



**EB-PS-AC48-120**  
120 Watts for up to  
8 full power PoE devices

AC Input  
48 VDC Output



**EB-PS-4824-13**  
48VDC Input  
24 VDC Output  
13 Watts

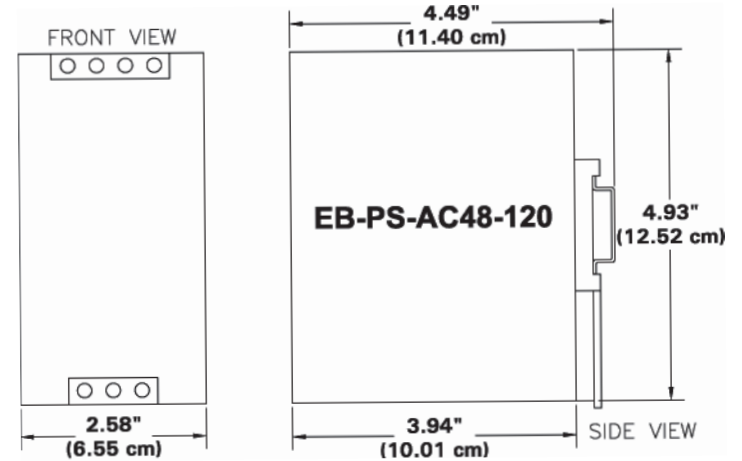
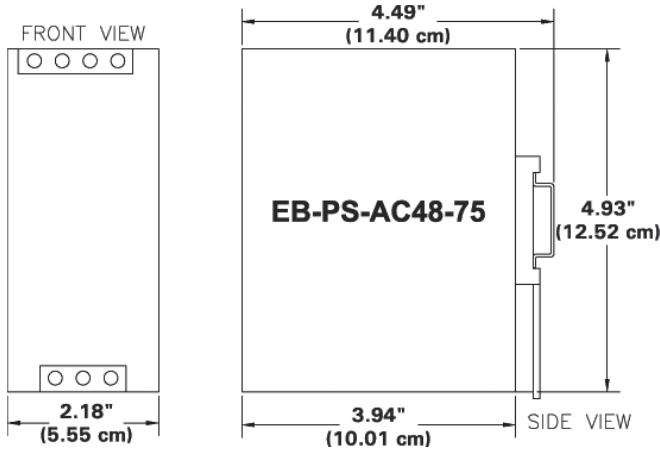
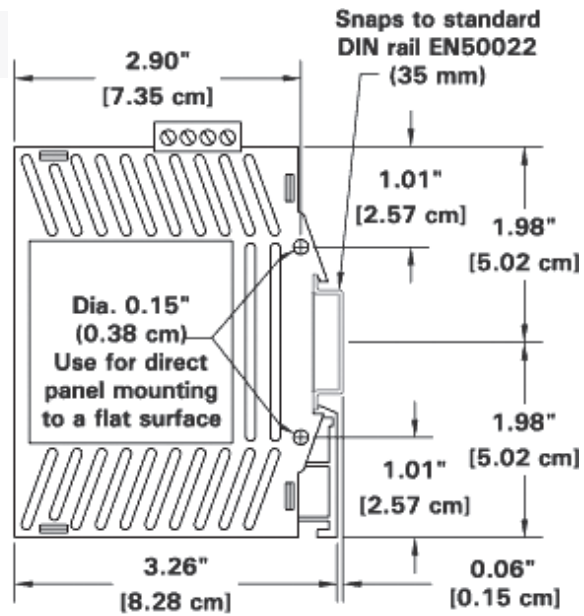
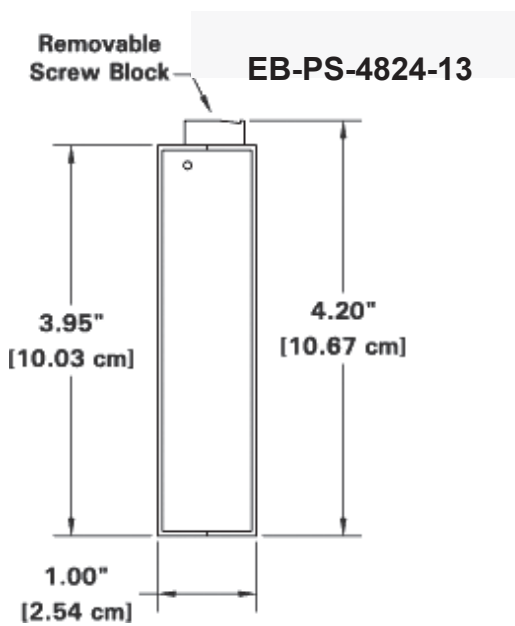


### ORDERING GUIDE

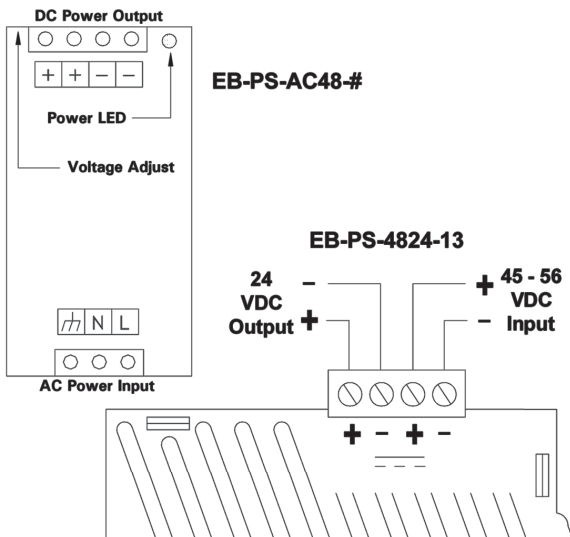
<b>EB-PS-AC48-75</b>	AC to 48 VDC power supply; 75 Watts (1.5 Amp)
<b>EB-PS-AC48-120</b>	AC to 48 VDC power supply; 120 Watts (2.5 Amps)
<b>EB-PS-4824-13</b>	48 VDC to 24 VDC power supply; 13 Watts (0.540 Amps)

<b>MODEL</b>		<b>EB-PS-4824-13</b>	<b>EB-PS-AC48-75</b>	<b>EB-PS-AC48-120</b>	
<b>OUTPUT</b>	DC Voltage	24VDC	48VDC	48VDC	
	Rated Current	0.54Amps	1.6Amps	2.5Amps	
	Current Range	0 - 0.54Amps	0 - 1.6Amps	0 - 2.5Amps	
	Rated Power	13 Watts	76.8 Watts	120 Watts	
	Ripple/Noise (max)	200 mV p-p	240 mV p-p	100 mVp-p	
	Voltage Adjust	-	48-53 VDC		
	Voltage Tolerance	+/- 1%	+/- 1%		
	Line Regulation	N/A	+/- 0.5%		
	Load Regulation	N/A	+/- 1%		
	Setup & Rise Time	-	1000mS & 60mS @ 230V	500mS & 70mS @230V	
Hold Time (typical)	-	12/60mS @ 115/230 VAC	32/36mS @ 115/230 VAC		
<b>INPUT</b>	AC Voltage Range	N/A	85 - 264 VAC	88 - 133, 176-264 VAC	
	DC Voltage Range	45 - 56 VDC	120 - 370 VDC	248 - 370 VDC	
	Frequency Range	N/A	47 - 63 Hz		
	Efficiency (typical)	85%	81%	85%	
	Current (typical)	0.32Amps @ 48VDC	1.6Amps @115VAC, 0.96Amp @ 230VAC	2.6Amps @115VAC, 1.6Amps @ 230VAC	
	Inrush Current	-	Cold start - 20Amps @ 115VAC, 40Amps @ 230 VAC		
	Leakage Current	-	<1mA @ 240VAC	<3.5mA @ 240VAC	
<b>PROTECTION</b>	Over-load	Current limiting w/automatic recovery	105 - 150% rated output, current limiting w/automatic recovery		
	Over-voltage	Transient: 15Kw peak; Surge: 5Kwatts (10x10uS)	58 - 65 VDC shut down output, cycle power to recover		
	Over-temp.	140°C w/auto recovery	90°C shurt down w/auto recovery		
<b>ENVIRONMENTAL</b>	Operation Temp.	-40 to +75°C	-20 to +70°C (derate ouput 3% per °C above 50°C)		
	Opearation Humidity	5 to 95% RH (non-cond.)	20 to 90% RH (non-cond.)		
	Storage	-40 to +85°C	-40 to +85°C @ 10 to 95% RH		
	Temperature Coefficient	-	+/-0.03% per °C		
	Vibration, shock and freefall	IEC 68-2-6, -27 and -32	10 - 500Hz; 2G 10 min per cycle; 60m period each along X, Y, Z axes		
<b>STANDARDS</b>	Safety	UL508 / CSA C22 (CUL), EN61010-1	CUL (UL508 / CSA C22.2); TUV EN60950-1		
	Haz. Locations	UL1604, CSA C22.2/213, Cenelec EN50021	CUL 1604 (CSA C22.2/213); Class I, Div.2 (Zone 2)		
	Withstand Volt.	Input to output: 1500Vrms	Input to output: 3KVAC; Input to GND: 1.5KVAC; Output to GND: 0.5KVAC		
	Isolation Resistance	-	100M Ohms @ 500VDC		
	EMI Emissions	FCC part 15, ICES-003, E55022	EN55011, EN55022 (CISPR22) Class B		
	EMC Immunity	IEC61326-1	EN61000-4-2, 3, 4, 5, 6, 8, 11; ENV5024; EN50024; EN61000-62 (50082-2); heavy industry level, criteria A		
	Harmonic Current	N/A	EN61000-3-2, EN61000-3-3		
<b>MISCELLANEOUS</b>	MTBF	>1,000,000 (estimated)	123,000 hrs per MIL-HDBK-217 @25°C	137,000 hrs per MIL- HDBK-217 @25°C	
	Packaging	Polycarbonate; IP30	Metal; IP20		
	Mounting	DIN rail or flat to panel	DIN rail		
	Weight	0.17Kg (0.25lbs)	0.60Kg (1.3lbs)	0.79Kg (1.7lbs)	
	Dims	See mechanical drawings			

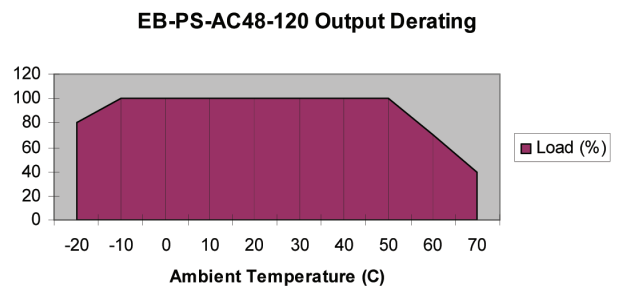
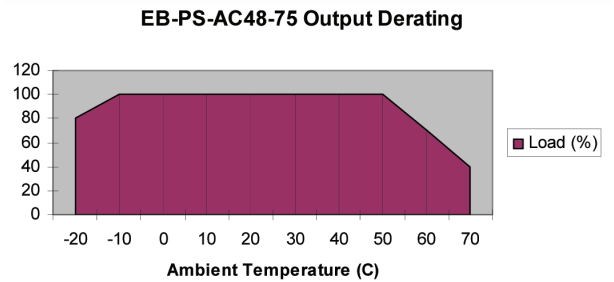
All specifications are subject to change. Consult factory for latest info.



**POWER WIRING**



**OUTPUT DERATING**



Sixnet Technology Park  
 331 Ushers Road • Ballston Lake, NY 12019 • USA  
 1.518.877.5173 • Fax 1.518.877.8346 • sales@sixnet.com

Datasheet EB-PS-xx  
 Rev April 15, 2009