

CS-428/9AT PRO



» Features

- RS232 to RS422/485 Converter
- Distance : Max 1.2km
- Fully compatible with PC serial COM ports
- Basically operates with no power (Power applied to DTR signal)
- Enables the use of external DC power supply (7~12V) Built in Surge Protector
- Auto Toggling by hardware (CS-428/9AT model only)
- Communication status can be monitored through LEDs
- DIP Switch for RS422/485 mode
- Max. 10 Device Connectivity for RS422 Multi-Drop Mode
- Max. 32 Device Connectivity for RS485 Mode

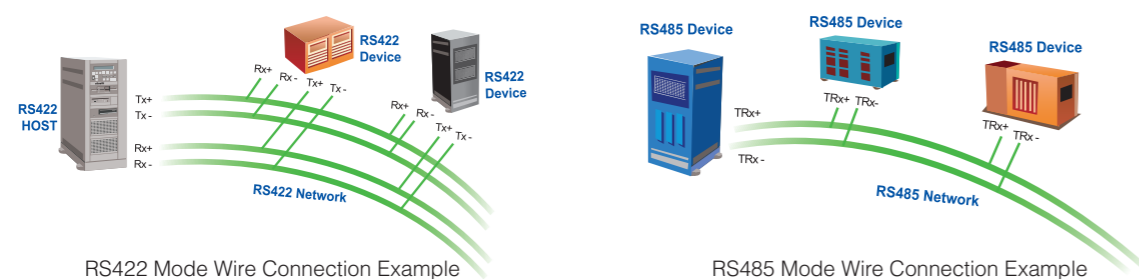
Overview

CS-428/9AT converts RS232 signals to RS422 or 485. It is an efficient solution for applying advantages of RS422/485 to RS232 devices. It operates with no extra software installation. With simple DIP switch toggling, RS422 or RS485 can be selected. Also, the product is fully compatible with serial COM port in PC.

Auto RTS Control (Auto Toggling)

Under 1:N communication environment, it is undesirable that multiple devices send data at once, causing electrical collision that leads to an error. In order to prevent this, only one device needs to send data at a time which means that data I/O control is necessary at certain points. CS-428/9AT-PRO performs automatic toggling by hardware, saving extra programming work.

RS422/485 Wire Connection



What is RS485 Echo Mode?

Different from RS485 Non-echo mode, RS485 Echo Mode enables the output signal line to function as the input signal. Therefore, it is not necessary to read the echoed data to confirm whether the data sent crashes with another. Echo mode is scarcely used except in some special purposes. On CS-428/9AT, all operation is controlled by hardware circuit so no additional condition is required by application program.

Specification

Serial

Interface	RS232 or RS422/RS485(Combo)
Number of ports	4 (DB9 Female)
Speed	1200 bps to 921.6 Kbps
Signal	RS232 : TX, RX, DTR, DSR, RTS, CTS, DCD, RI,GND RS422 : TX+, RX-, TX+, TX- RS485 : TRX+, TRX-
Protection	15KV ESD Protection
Data bits	7, 8
Stop bits	1, 2
Parity	None, Even, Odd
Flow Control	RTS/CTS, XON/XOFF

Software

O/S	Win 98/CE/2000/XP/Vista/2008/7, Linux, Mac OS
-----	---

Environmental

Operating Temp	0 ~ 55°C (32~131°F)
Storage Temp	-20~70°C (-4~158°F)
Humidity	5 ~ 95% Non-Condensing

Approvals

MIC, CE, FCC

Converter

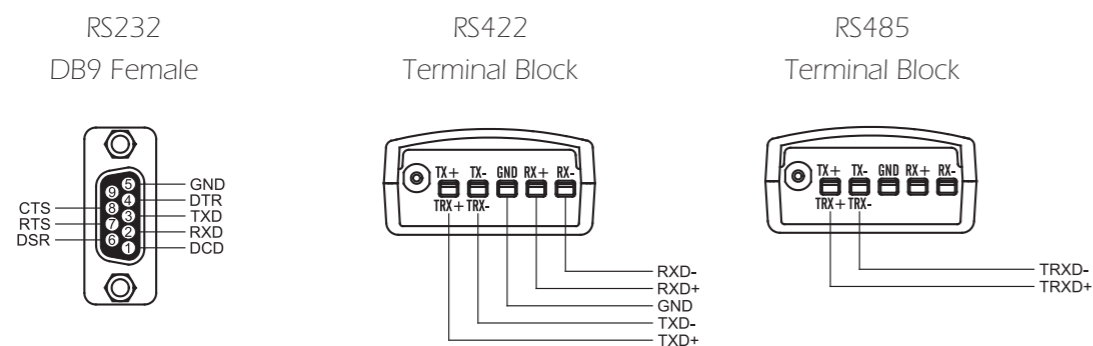
CS-428/9AT PRO

Ordering Information

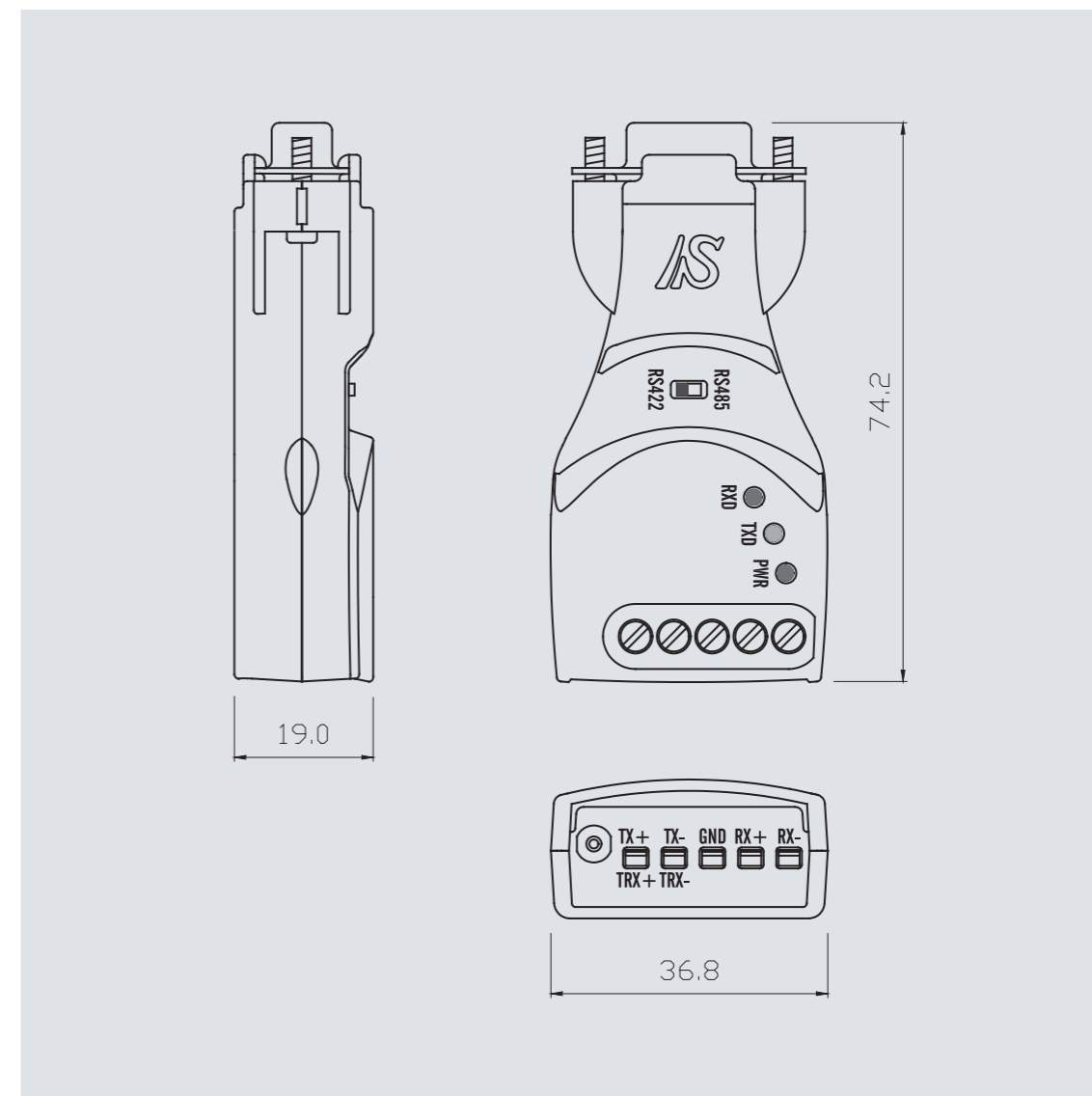
Ordering Information

CS-428/9AT RRO	RS232 to RS422/485 Converter with Auto RTS Control (Auto Toggling) DB9 Female Connector for RS232 and Terminal Block for RS422/485
AC ADAPTER	AC Adapter / Input : AC 110/220V 60Hz, Output : DC 9V 300mA Caution : MUST USE In(-) / Out(+) AC Adapter
Package Contents	CS-428/9AT Converter, Manual

Pin Assignment



Dimension



Sales Inquiry : sales@sysbas.com / Technical Support : tech@sysbas.com