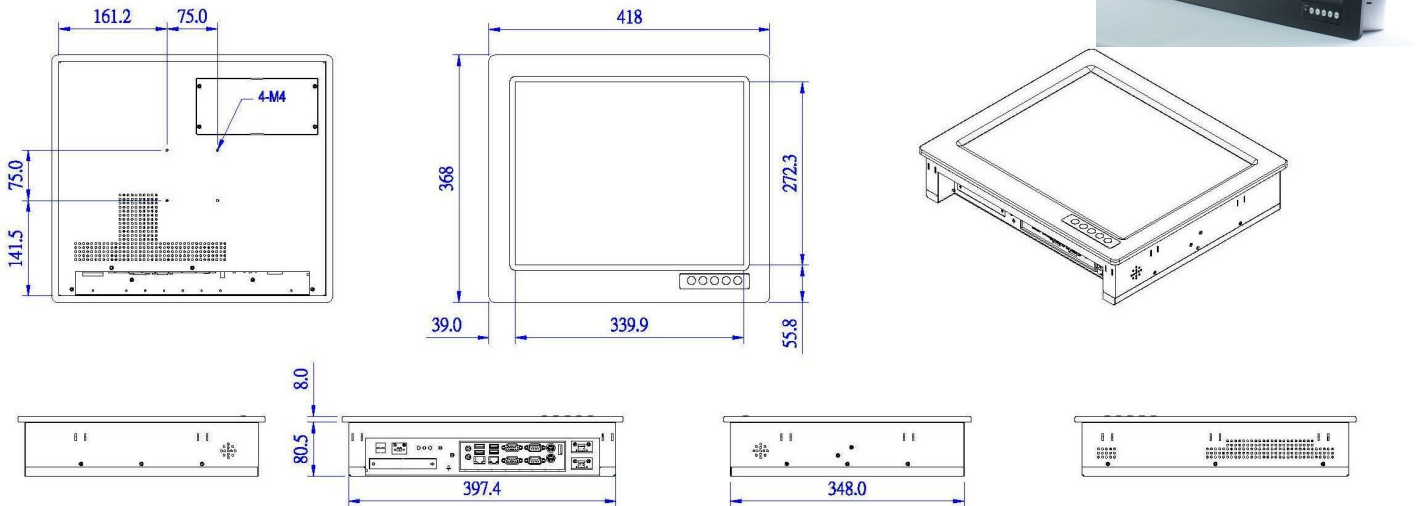


APPC-1729T (10N)

17" DNV-Approved Rugged Panel PC, Quad Core, 2.13G, Touch, VGA, HDMI, Dual Gb LAN, 3 COM, 6 USB, PS2 KB / Mouse, Speakers, PCIe



Technical Specifications

LCD Display Grade

| | |
|----------------|--|
| LCD Size | 17" Active Matrix TFT LCD |
| Resolution | 1280 x 1024 resolution |
| Aspect Ratio | 4 : 3 ratio |
| Luminance | 250 cd/m2 (option : 1000nits & dimmable) |
| View angle | 85/85/80/80 (left/right/Up/Down) |
| Color Depth | 16.7M colors |
| Contrast Ratio | 1000 : 1 (typical) |
| Backlight life | 40,000 Hours at 25°C ambient temperature |

Touch Screen

| | |
|--------------|-----------------------------------|
| Touch Screen | 17" 5-Wire Resistive Single Touch |
| Resolution | 4096 x 4096 ultra-high resolution |

Military-grade High-end Mainboard

| | |
|---------------|--|
| CPU | Intel® N2930 fanless Quad Core 2.16GHz CPU |
| System Memory | 4GB (Option : 8GB) DDR3 RAM memory |
| HDD or SSD | 120GB Intel S3510 SSD |

2D / 3D Video

| | |
|---------------|---|
| Graphics Chip | Intel® Gen7 (HD Graphics) Supports DX11, OGL3.2 |
|---------------|---|

I/O Interface

| | |
|-------------------|-----------------------------------|
| VGA / RGB Port | 1x15-Pin female D-Sub, 1920x1200 |
| HDMI Port | 1x1.3a, max. resolution 1920x1200 |
| Multi Display | Yes, Dual |
| COM (Serial) | 3xRS232/485/422 |
| USB Port | 2xUSB3.0, 4xUSB2.0 |
| 2 x PS2 Ports | Keyboard and Mouse |
| Audio In-Out Port | Audio-in and Audio-out Ports |
| Speakers | Built-in 2 loud speakers |
| Optional ports | CAN-BUS / Isolated RS422/485 |

Expansion Slot

| | |
|-----------------|---|
| PCIe Slot | 1 |
| Mini PCI-e slot | 1 (for CAN-BUS or Wireless LAN, etc.) |
| SATA Slot | 2 x SATA slot for second storage device |

Mechanical

| | |
|----------------|--------------------------------------|
| Front Bezel | Solid Aluminum Front Bezel |
| Construction | Heavy-duty rugged steel construction |
| Standard Color | Black color |

Mounting Method

| | |
|----------------|--------------------------------------|
| Rear Mount | VESA-75x75 |
| Panel mount | Yes, with quick mounting kits |
| Marine Compass | Standard dist. 95 cm, Steering 60 cm |

IP-65 Rating

| | |
|--------------------|-------------------------------------|
| Front Side | IP-65 Water-proof at the front side |
| Back / Bottom | IP-22 |
| 6-Side Water-Proof | Option |

Power Adapter

| | |
|-----------------|---|
| AC Power Source | External AC-DC adapter from 90 up to 264V |
| DC Power Source | Support DC 9~32V Power source |
| Safety Approval | Power adapter is UL, cUL, TUV Approval |
| Redundant input | Terminal for 2 external DC supply (9-32VDC) |

Environmental

| | |
|---------------------|-------------------------------|
| Op. Temperature | 0°C to +60°C |
| Storage Temperature | -10°C to +80°C |
| Shock | Designed to meet MIL-STD-810F |
| Vibration | Designed to meet MIL-STD-810F |
| CE / FCC / RoHS | CE / FCC / RoHS standard |
| Marine Approval | DNVGL and IEC60945 |

Ordering Information

| | |
|---------------|--|
| APPC-8429T | 8.4" PPC, Quad Core up to 2.16G (4:3 800x600) |
| APPC-1049T-XG | 10.4" PPC, Quad Core up to 2.16G (4:3 1024x768) |
| APPC-11629T | 11.6" PPC, Quad Core up to 2.16G (16:9 1366x768) |
| APPC-1229T-XG | 12" PPC, Quad Core up to 2.16G (4:3 1024x768) |
| APPC-1529T | 15" PPC, Quad Core up to 2.16G. (4:3 1024x768) |
| APPC-15629T | 15.6" PPC, Quad Core up to 2.16G (16:9 1920x1080) |
| APPC-1729T | 17" PPC, Quad Core up to 2.16G (4:3 1280x1024) |
| APPC-1929T | 19" PPC, Quad Core up to 2.16G (4:3 1280x1024) |
| APPC-2229T | 22" PPC, Quad Core up to 2.16G. (16:9 1920x1080) |
| APPC-2429T | 23.6" PPC, Quad Core up to 2.16G. (16:9 1920x1080) |