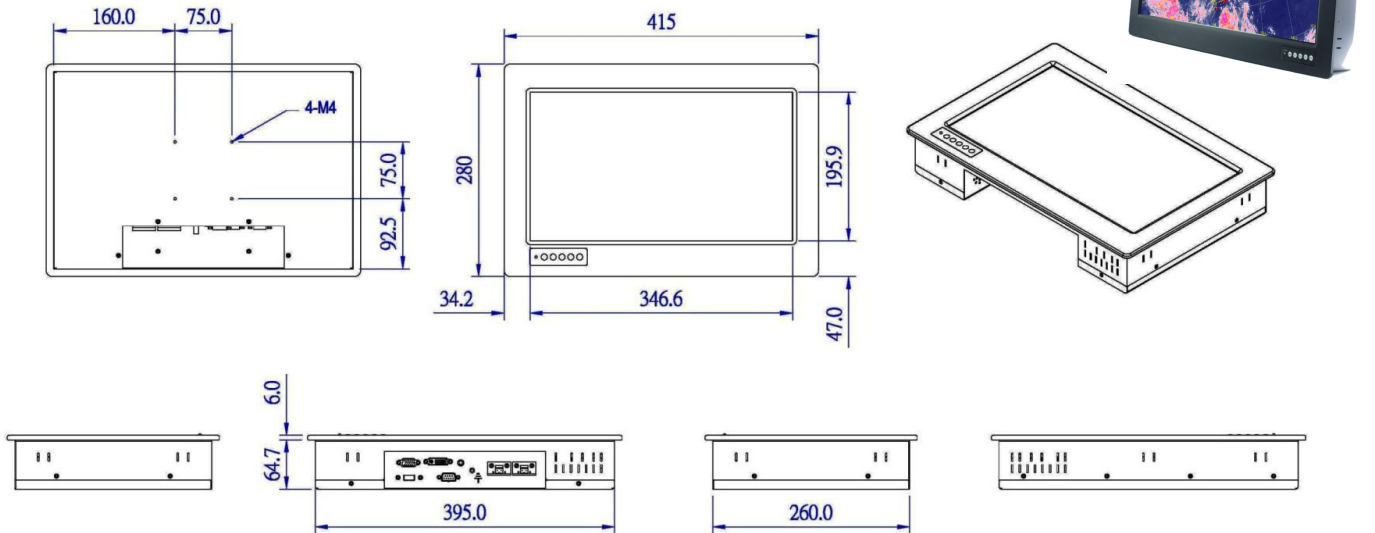


# AMON-156T-AL-MK(-8N)

15.6" Rugged Industrial LCD Monitor, 1920 x 1080 FHD, (800 Nits), VGA, DVI



## Technical Specifications

<b>LCD Display Grade</b>		<b>IP-65 Rate</b>	
LCD Size	15.6" Active Matrix TFT LCD	Front Side	IP-65 Water-proof on front side
Resolution	1920 x 1080 Full HD resolution	Rear Side	IP-22
Aspect Ratio	16 : 9 wide screen	<b>Environmental</b>	
Luminance, Standard	300 cd/m2	Operating Temp.	0~50 deg. C
Contrast Ratio	500 : 1	Storage Temp.	-20~60 deg. C.
Upgrade Luminance	800 cd/m2 sunlight readable	Shock	Meet MIL-STD-810F standard
Color Depth	262,144 high colors	Vibration	Meet MIL-STD-810F standard
Operate Temperature	0 up to +50°C	CE, FCC, RoHS	Meet CE, RoHS compliant, DNV2,4, IEC60945
Storage Temperature	-20 up to +60°C	<b>DC or AC Power</b>	
View Angle	60(L) / 60(R) / 50(U) / 50(D) degree	DC 12 to 30V Wide	Support from 12V up to 30V
Backlight life	50,000 Hours at 25°C ambient temperature	AC Power Source	Optional external AC Power Supply
<b>Protection Glass or Touch Screen</b>		AC Power Range	AC from 90 up to 264V
Protection Glass	Protection glass to protect the LCD display	Power Consumption	Around 35 Watts
<b>I/O Interface</b>		Safety Approval	Power adapter is UL, cUL, TMV approved
VGA	VGA , D-sub 15-pin	CE, FCC, RoHS	CE, FCC, RoHS Compliant
DVI	DVI x 1	<b>Power Consumption</b>	
Touch - RS232	To be confirmed.	Power Consumption	Around 35 Watts
Touch - USB	Default USB interface	Stand-By	2 Watts stand-by
Optional	Option : HDMI or BNC for camera or video	Working	45 Watts in working
<b>Mechanical</b>		<b>Ordering Information</b>	
Front Bezel	15.6" Aluminum Bezel	AMON-70T-AL	7" Rugged Industrial LCD Monitor
Construction	Rugged stainless steel construction	AMON-84T-AL	8.4" Rugged Industrial LCD Monitor
Standard Color	Black color	AMON-100T-AL	10" Rugged Industrial LCD Monitor
<b>Mounting Method</b>		AMON-102-AL	10.2" Rugged Industrial LCD Monitor, 1366 x 600
Wall-Mount	Support VESA-75 wall mounting	AMON-120T-AL	12" Rugged Industrial LCD Monitor
Mounting Kit	Mounting Kit is available at extra cost	AMON-150T-AL	15" Rugged Industrial LCD Monitor
<b>OSD Control Buttons</b>		AMON-156-AL	15.6" Rugged Industrial LCD Monitor, Full HD
OSD Buttons	On-Off switch, Menu, Brightness Up and Down, Auto	AMON-170T-AL	17" Rugged Industrial LCD Monitor
Dimming Range	Option : Dimming range from 100% down to 0%	AMON-190T-AL	19" Rugged Industrial LCD Monitor
		AMON-200T-AL	20" Rugged Industrial LCD Monitor
		AMON-220T-AL	22" Rugged Industrial LCD Monitor, Full HD
		AMON-240T-AL	24" Rugged Industrial LCD Monitor, Full HD